

RS - 104

48x96 Load Controller

RUDRRA SENSOR

The load cell Technology



Product Description

As a result of long period efforts and latest technology implementation Rudrra Sensor load indicator RS-104 is a perfect on match of cost & performance. With supply voltage of 24VDC, This weight controller having 3 digital output & 1 digital Input with m-bus RS 485 Analogue output makes it yet another product in the range of multifunctional applied do it all device.

Applications

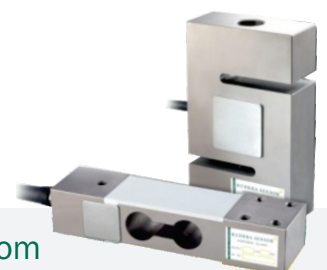
- * Industrial automation & weight data transfer to peripheral automation systems.
- * Filling machine, Dosing application

Key Features

- * 96x48 panel mounted Aluminum construction
- * 24VDC supply voltage
- * 24 bit ADC with digital filter rate
- * 3 DO & 1 DI, RS 485 & Parallel Analogue output
- * International design standard and easy to install
- * Connect up to 4 Load cell 350 & 8 Load cell of 700
- * Easy setup

Optional :

- * Rs-104 -3 DO + 1 DI + M-bus
- * Rs-104 -3 DO + 1 DI + M-bus + Aout

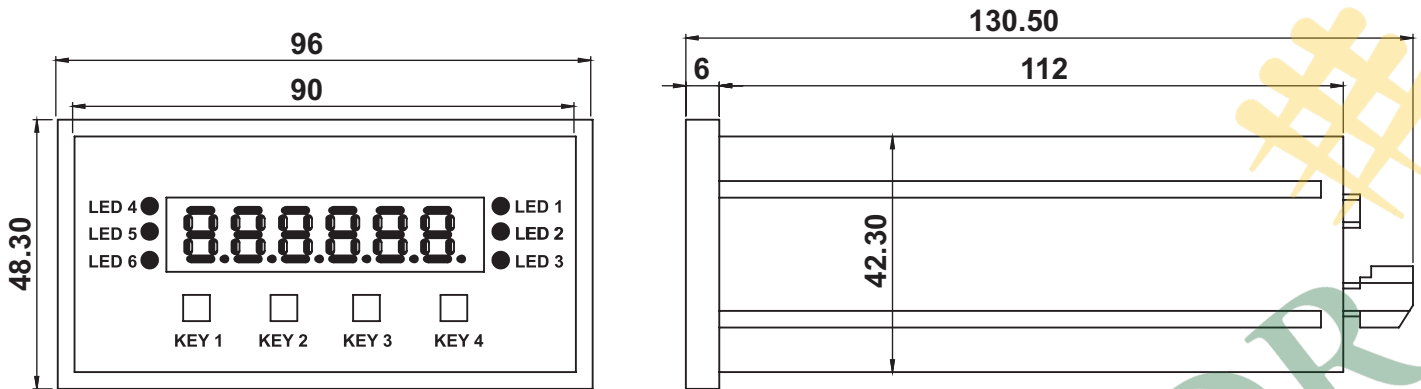


RS - 104

48x96 Load Controller

RUDRRA SENSOR

The load cell Technology



Technical Specifications Table

| GENERAL | |
|---------------------------|--|
| Power Supply | 24 VDC |
| Inputs | 2 Units Analog (Power Supply, Load cell) |
| Outputs | 16 Bit Analogue Output(0-5V,0-10V,4-20mA,0-20mA,0-24mA) |
| | Modbus RTU (RS485) |
| | 3 DO, 2 DI |
| DISPLAY | |
| Display | 6 Digit 7 Segment Display |
| Display Step | x1,x2,x5,x10,x20,x50 |
| Decimal Display | 0.1,0.01,0.001,0.0001 |
| Keypad | 4 Units |
| A/D CONVERTOR | |
| Type Converting | 24 bit Delta sigma |
| Speed Display | up to 1000 sps (user programmable) |
| Precision | 1/1,00,000 |
| FILTER AND CALIBRATION | |
| Digital Signal Filter | Programmable filter |
| Anti-Vibration Filter | Special Filter for Vibrated Environment |
| Parametric Calibration | Done While being connected to the Load cell with milivolt output |
| Weighted Calibration | With Standard Weights |
| LOAD CELL | |
| Power Supply | 10 V DC |
| Number of Load Cells | 4 units 350Ω or 8 units 700Ω |
| Input Resistance min | 85Ω |
| Output Signal at Max Load | ≤ 4 mV/V |
| Connection | Connection with 4 or 6-Core Cable |
| COMM.INTERFACE | |
| Serial Port | RS 485 |
| AMBIENT AND EQUIPMENT | |
| Operating Temperature | -10 °C ~ +40 °C |
| Humidity | %85 |
| Box | Panel Mounting Aluminium construction |
| Dimension | 48*96mm |

