

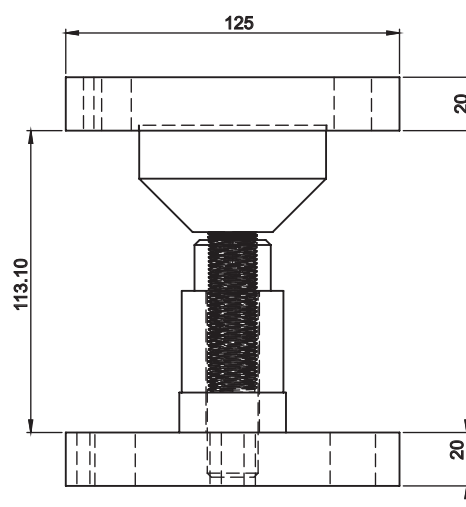
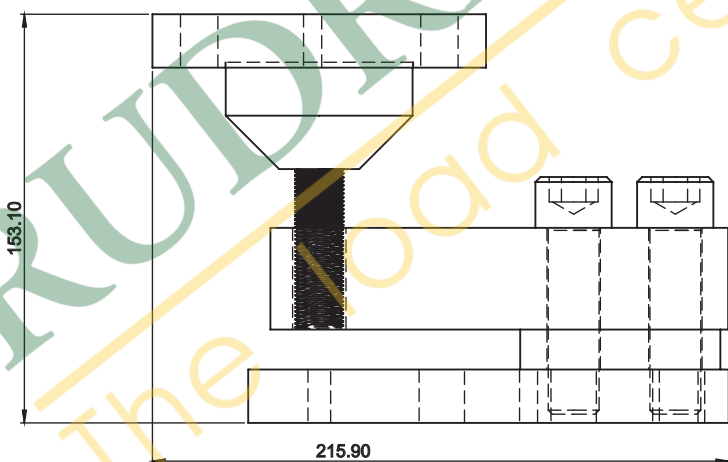
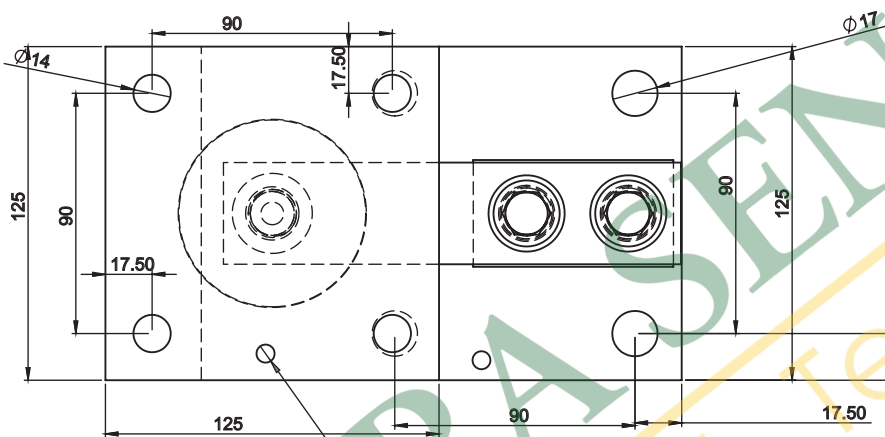
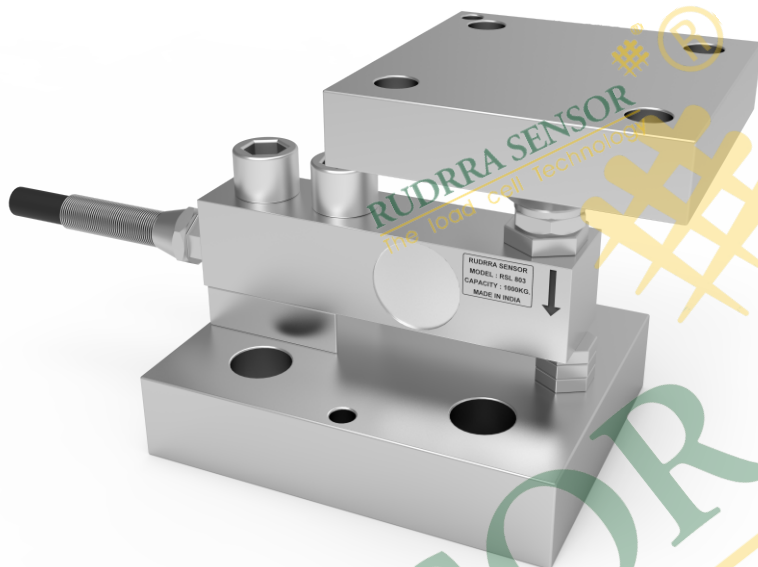


RSL 803-5T ASSEMBLY

Tank Weighing Load Cell

RUDRRA SENSOR

The load cell Technology



Product Description

- * Assembly made by alloy steel with nickle plated
- * Stainless steel on request