

RS - 103

48x96 Panel Mounted Load Indicator

RUDRRA SENSOR

The load cell Technology



Product Description

As a result of long period efforts and latest technology implementation Rudrra Sensor load indicator RS-103 is a perfect on match of cost & performance. With isolated supply voltage of 18-30VDC, This weight controller having 2 potential free Relay output, 1 digital i/p m-bus RS 485 Analogue output makes it yet another product in the range of multifunctional do it all device.

Applications

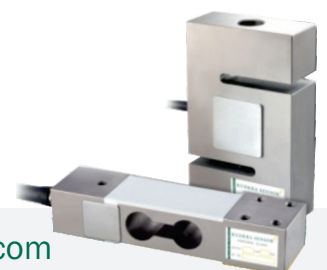
- * Industrial automation & weight data transfer to peripheral automation systems.
- * Construction machinery
- * Industrial Lift automation

Key Features

- * 96x48 panel mounted ABS construction
- * 18VDC -36VDC supply voltage
- * 24 bit ADC with digital filter rate
- * 2 Relay o/p, 1 i/p m-bus & analogue o/p options
- * Low cost and easy to install
- * Connect up to 4 Load cell 350 & 8 Load cell of 700
- * Easy setup

Optional :

- * Rs-103 + 2R + 1 i/p
- * Rs-103 + 2R + 1 i/p + Mbus
- * Rs-103 + 2R + 1 i/p + Mbus + Aout



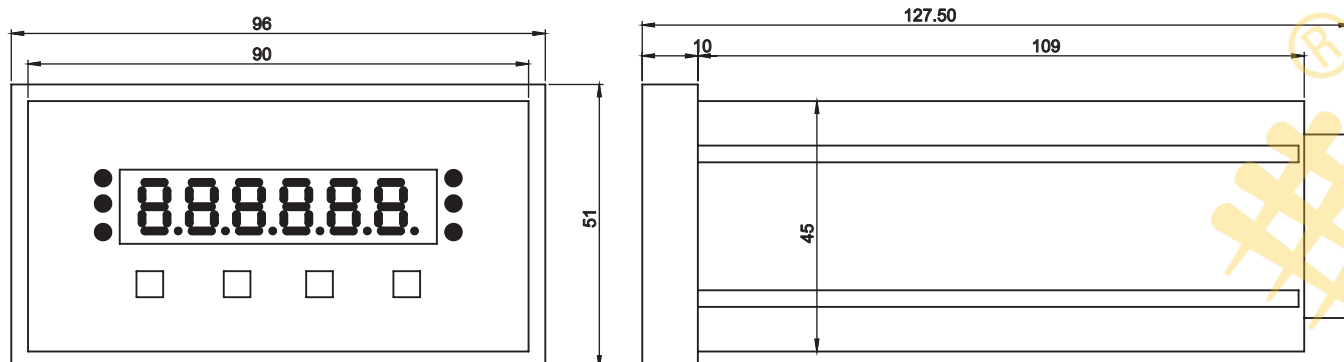


RS - 103

48x96 Panel Mounted Load Indicator

RUDRRA SENSOR

The load cell Technology



Technical Specifications Table

GENERAL	
Power Supply	18V-36V DC
Inputs	2 Units Analog (Power Supply, Load cell)
Outputs	16 Bit Analog Output (0-5V,0-10V,4-20mA,0-20mA,0-24mA)
	Modbus RTU (RS485)
	2 Relay Output
DISPLAY	
Display	6 Digit 7 Segment Display
Display Step	x1,x2,x5,x10,x20,x50
Decimal Display	0.1,0.01,0.001,0.0001
Keypad	4 Units
A/D CONVERTOR	
Type Converting	24 bit Delta sigma
Speed Display	up to 600 sps (Software Programmable)
Precision	1/100000
FILTER AND CALIBRATION	
Digital Signal Filter	programmable filter
Anti-Vibration Filter	Special Filter for Vibrated Environment
Parametric Calibration	Done While being connected to the Load cell with milivolt output
Weighted Calibration	With Standard Weights
LOAD CELL	
Power Supply	10 V DC
Number of Load Cells	4 units 350Ω or 8 units 700Ω
Input Resistance min	85Ω
Output Signal at Max Load	≤ 4 mV/V
Connection	Connection with 4 or 6-Core Cable
COMM.INTERFACE	
Serial Port	RS 232 (Optional)
AMBIENT AND EQUIPMENT	
Operating Temperature	-10 °C ~ +40 °C
Humidity	%85
Box	Panel Mounting
Dimension	48*96mm

